

EdgeIPS™ Pro 1048/2096

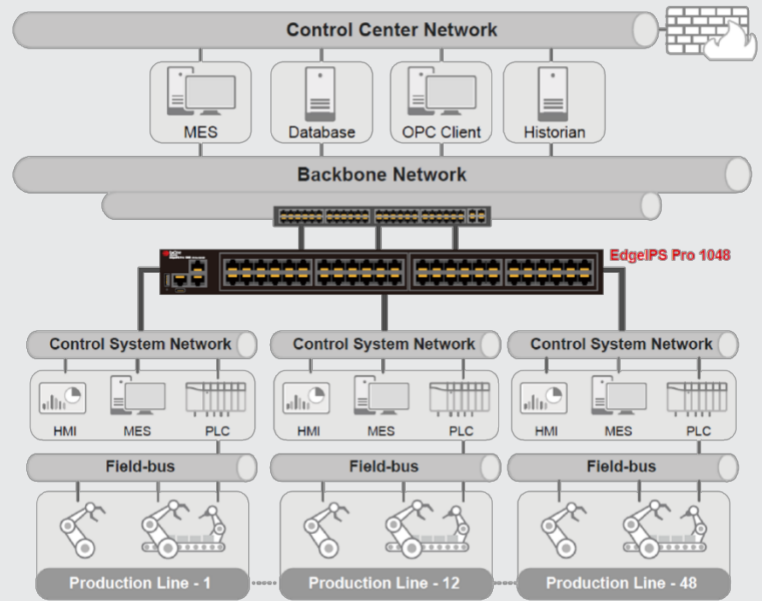
Intent-Based Industrial Intelligent IPS Array

Industrial Transparent Multi-Segment Security Appliance Protects Mission-Critical Machines & Supports Continuous Production Line Operation

Intent-based network segmentation is the foundation of convenient and reliable ICS network security, eliminating cyberattack surfaces and reducing the impact of any security incident. Proper network segmentation comes with two countermeasures: internal segmentation and micro-segmentation. Micro-segmentation is the most effective approach, but it poses many challenges for deployment and management when applied to a large-scale network environment.

EdgeIPS Pro is a purpose-built appliance, set up for friendly, rack-mounted deployment and equipped with in-depth OT protocol filtering to enable administrators to easily manage micro-segmentation for a complex environment. Based on the solid ICS security building block, EdgeIPS Pro is built from the ground up to isolate and protect multi-segment networks. This security solution is designed specifically to fit transparently into the IT-OT convergence network environment.

EdgeIPS Pro offers legacy systems and unpatched devices holistic visibility and rock-solid cyber defense, in addition to the Gen3 hardware bypass that makes up the backbone of your production line, ensuring uninterrupted operation.



Benefits

Efficient Configuration, Maintenance, and Administration

- Effortless deployment aligns transparently with your existing network.
- Works excellently as a standalone and synergizes well with our centralized management system EdgeOne™.
- Certified powerful hardware with standard rack-mount sizing, redundant power design, high availability, and durability tailored for OT environments.

High Deployment Flexibility and Multi-Segmenting Empower You to Protect Your Network

- Provides immediate and continuous threat protection through purpose-built deployment options for easy installation and management via the centralized management interface.
- Protects vulnerable unpatched devices and legacy systems.
- Shields your assets against OT exploits with signature-based virtual patching.
- Incident response operates in accordance with factory SOP.

Boost Visibility and Reliability of Mission-Critical Assets without Altering Your Network Topology

- Operates with a high level of asset visibility using passive asset identification and IT/OT traffic communication within OT networks.
- Increases Shadow OT visibility.
- Purifies OT network communication.
- Smooth event and traffic monitoring with event log tracing.
- View and query event logs with the built-in log viewer.

High Availability with Fail-Safe Multi-Segmenting

- Active-Active and Active-Passive with stateful failover.
- Equipped with 24 or 48 port pairs to support multi-segmented hardware failover, minimizing downtime for patching or maintenance.
- Module-based swappable and extendable module cards.



Key Features

- Multi-Segmenting with Integrated Security**
 EdgeIPS Pro is designed for use in levels 1-3, in front of mission-critical assets or at the network edge. Transparent as well as sensitive to your network traffic and production assets, EdgeIPS Pro fits right into your network without disrupting operations.
- OT-Aware Operational Intelligence**
 Our core technology for EdgeIPS Pro, TXOne One-Pass DPI for Industry (TXODI™), gives you the ability to create and edit allowlists, enabling interoperability between key nodes and deep analysis of L2-L7 network traffic.
- High Port Density and Flexible Deployment**
 EdgeIPS Pro flexibly switches between 'Monitor' and 'Prevention' modes, and supports up to 24 or 48 segments to preserve your productivity while maximizing security.
- Improve Shadow OT Visibility by Integrating Your IT and OT Networks**
 EdgeIPS Pro comes equipped to make your IT and OT networks as integrated and coordinated with each other as possible, and to grant visibility of your shadow OT environment.
- Policy Rule Auto Learning**
 EdgeIPS Pro automatically learns network connections based on daily OT operations and generates allowlists, reducing deployment time.
- Signature-Based Virtual Patching and Antivirus**
 Virtual patching shelters endpoint and network vulnerabilities while signature-based antivirus provides an extra layer of protection under EdgeIPS Pro. Research-supported, up-to-date signatures protect your production assets against the latest threats, and the frequency of flexible updates is fully under the administrator's control.
- Top Threat Intelligence and Analytics**
 EdgeIPS Pro provides advanced protection against unknown threats with its up-to-date threat information. With the cutting-edge research of the Zero Day Initiative (ZDI) vulnerability rewards program, EdgeIPS Pro offers your systems exclusive protection from undisclosed and zero-day threats.
- Wide Range of Industrial Protocols**
 EdgeIPS Pro supports OT protocols including Modbus, Ethernet/IP, CIP, EDA, and more, allowing OT and IT security system administrators to collaborate for seamless operation with the existing network architecture.
- Easily Centralized Management with Convenient, Consolidated Overview**
 Pattern updates and firmware management can all be centralized on a large scale. For facilities with massive EdgeIPS Pro nodes, EdgeOne™ helps administer and manage them by group, reducing costs and increasing large-scale efficiency.

EdgeIPS™ Pro Specifications



Feature	EdgeIPS Pro - 1048 (Gen2)	EdgeIPS Pro - 2096 (Gen2)
Threat Prevention Throughput*	10Gbps (IMIX) / 20Gbps (UDP 1518 bytes)	20Gbps (IMIX) / 40Gbps (UDP 1518 bytes)
Latency	<500 microseconds	
Concurrent Connections (TCP)	2 Million	4 Million
Intrusion Prevention / Antivirus	Yes / Yes	Yes / Yes
Supported ICS Protocol	Modbus / EtherNet IP/ CIP/FINS/ S7Comm/S7Comm+/SECS/GEM, with more being added regularly	
Policy Enforcement Rules	50,000 Rules	100,000 Rules
ICS Protocol Filter Profiles	256 Profiles	256 profiles
Form Factor	1U rack mount	2U rack mount
Weight (Standalone Device)	with 2 LAN modules: 14.52kg without LAN modules: 12.52kg	with 4 LAN modules: 20.61kg without LAN modules: 16.63kg
Dimensions (W x D x H)	438mm x 600mm X 44mm (17.24 X 29.53 X 1.73 in)	438mm x 600mm X 88mm (17.24 X 29.53 X 3.46 in)
Network Interface Type	10/100/1000 BASE-TX (RJ-45) x 48 ports	10/100/1000 BASE-TX (RJ-45) x 96 ports
Hardware Failover	24 Segments Gen3 Hardware bypass	48 Segments Gen3 Hardware Bypass
USB Interface / Serial Console	1x USB Interface (Type-A) / 1x USB Interface (Type-C) for serial console	
MGMT Interface / Mirror Interface	1 x 1GE RJ-45(OOB MGMT) / 1 x GE RJ-45(Mirror)	
HA Port	1 x 10/100/1GE RJ-45 for HA Port	1 x 10/100/1GE RJ-45 for HA Port
Input Voltage	90 ~ 264 VAC FULL RANGE	90 ~ 264 VAC FULL RANGE
Power Supplies	Redundant hot swap 800W power supplies (1+1 AC)	
Operating Temperature	0 - 40°C (-40 - 167°F)	0 - 40°C (-40 - 167°F)
Ambient Relative Humidity	5 to 95% (non-condensing)	5 to 95% (non-condensing)
Storage Temp.	-40 - 85°C (-40 - 185°F)	-40 - 85°C (-40 - 185°F)
Vibration	2 Gems @ UEC 60068-2-64, random wave, 5-500HZ, 1hr per axis (without any USB devices attached)	2 Gems @ UEC 60068-2-64, random wave, 5-500HZ, 1hr per axis (without any USB devices attached)
Mean Time Between Failure (MTBF)	50,000 hours based on 25°C	50,000 hours based on 25°C
Safety Certification	CE ,UL, EN60950-1, IEC60950-1, UL60950-1	CE ,UL, EN60950-1, IEC60950-1, UL60950-1
Electromagnetic Compatibility	VCCI, FCC	VCCI, FCC
Rack Rail Support	Rack Mounting Ears, Sliding Rails	Rack Mounting Ears, Sliding Rails
Green Product	Rohs, CRoHS, WEEE	Rohs, CRoHS, WEEE
Central Management System	Supports EdgeOne	

* Note: Performance is measured in a laboratory, performance values may vary according to test condition and system configuration.

- Each EdgeIPS Pro is entitled to 1 year hardware warranty. Upon renewal of the software license and hardware warranty extension, the hardware warranty will be able to be extended for the same renewal period, subject to a maximum warranty period for the hardware of 7 years.